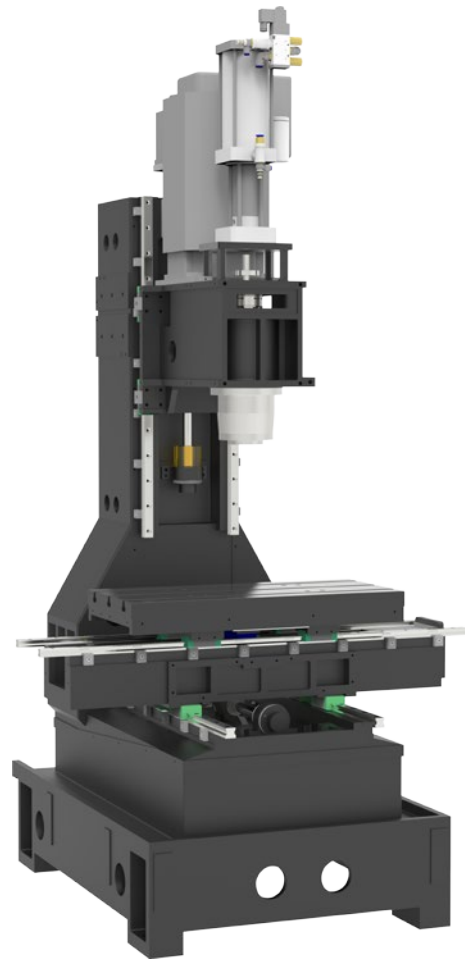


# MINI Center



- Training
- Tool room workshop
- Metal parts machining
- Model making
- R&D
- Cast iron is tempered for stress relief to ensure machine stability without deformation



| Technical Specifications               |        | Mini Center  |
|--|--------|--|
| <b>Table</b>                           |        |  |
| Table size                             | mm     | 650 x 300  |
| T-slot (width x number x distance)     | mm     | 14 x 3 x 100   |
| Max. load                              | kg     | 200  |
| <b>Travel</b>                          |        |  |
| X/Y/Z Travel                           | mm     | 500/300/400  |
| Spindle nose to table                  | mm     | 120 - 520  |
| Spindle center to column               | mm     | 340  |
| <b>Spindle</b>                         |        |  |
| Spindle taper                          | -      | SK 40/BT 40/CAT 40   |
| Spindle motor power/torque             | -      | 4.8/21kW; 19/45Nm (SIEMENS)<br>3.7/13kW; 23.6/82.8Nm (FANUC) |
| Spindle speed                          | rpm    | 10000  |
| <b>Feed</b>                            |        |  |
| Rapid speed                            | m/min  | X/Y: 24, Z: 16   |
| Cutting speed                          | mm/min | 1-10000  |
| <b>Tool changer</b>                    |        |  |
| Number of tools                        | pcs    | 12   |
| Max. tool length                       | mm     | 300  |
| Max. tool diameter                     | mm     | Φ90/Φ125   |
| Max. tool weight                       | kg     | 8  |
| <b>Accuracy (VDI 3441 Full travel)</b> |        |  |
| Positioning accuracy                   | mm     | 0.010  |
| Positioning repeatability              | mm     | 0.008  |
| <b>Dimensions &amp; Weight</b>         |        |  |
| Dimensions                             | mm     | 1660x2000x2495   |
| Weight                                 | kg     | 1800   |

### Standard configuration

- ✓ Fully enclosed splash guard
- ✓ Belt drive spindle 10000 rpm
- ✓ 12 position umbrella tool changer
- ✓ Spindle oil cooler
- ✓ Heat exchanger for electrical cabinet
- ✓ Rigid tapping
- ✓ Ethernet, CF card and USB interface
- ✓ Automatic lubrication system
- ✓ Coolant system
- ✓ LED working lamp
- ✓ End of program light
- ✓ Electronic handwheel (MPG)
- ✓ Tool box
- ✓ Leveling bolts and blocks
- ✓ Coolant gun
- ✓ Air gun
- ✓ Chip flushing system
- ✓ User Manual

### Optional configuration

- Workpiece probe
- Tool probe
- 4<sup>th</sup> axis
- Oil skimmer



12 position umbrella tool changer



LED Internal lamp



Chip flushing system



4<sup>th</sup> axis (optional)

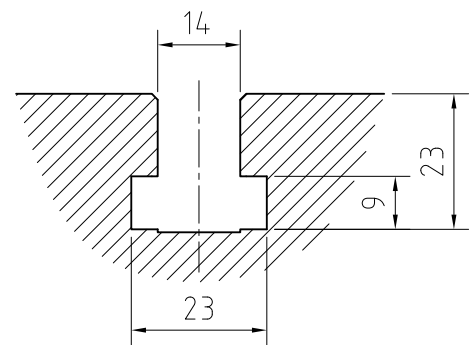
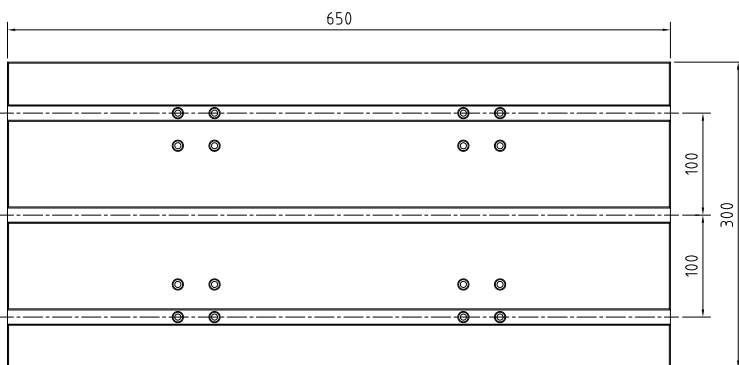


Tool probe (optional)

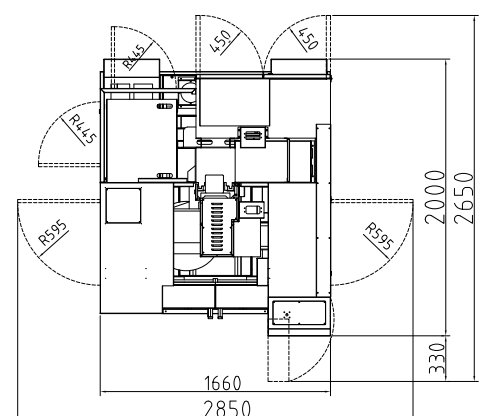
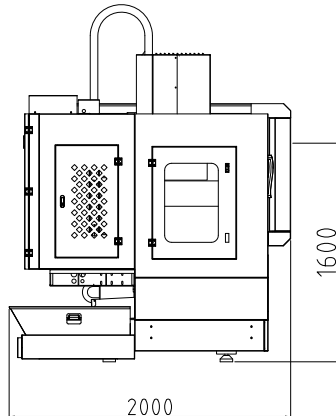
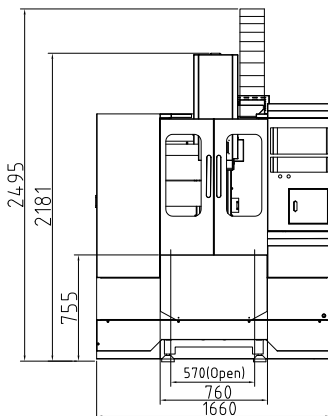


Chip collector & Coolant tank

## Worktable



## Dimensions



\* The above specifications are subject to change without prior notice, no liability for mistakes. Machines may be shown with optional equipment.